

ZWO Filter Drawer

AUD
\$125.00

Product Images



Short Description

M54 Filter Drawer with 20mm ring design

Description

Product Description

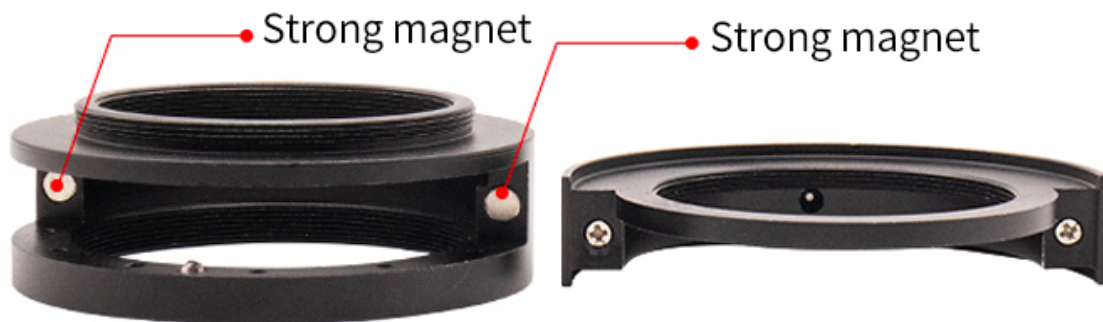
The M54 Filter Drawer with 20mm ring design is independently developed by ZWO and specifically made to match with the full-frame cooled camera ZWO ASI6200 and ASI2400.

The double strong magnets create stronger adsorption, easier installation and pulling out.



The M48*0.75 female thread can be used with the 2inch filters.

The M54*0.75 female thread can be used to connect with the telescope.
And the M54*0.75 male thread can be used to connect with the ASI6200 camera.



With the ability of double strong magnetic adsorption, it is more convenient and much easier to install or pull out the filter.



There is a lock screw on the side of the M54 filter Drawer. The locking function is helpful on adjusting the tension to eliminate the gap, which is a double insurance for users.

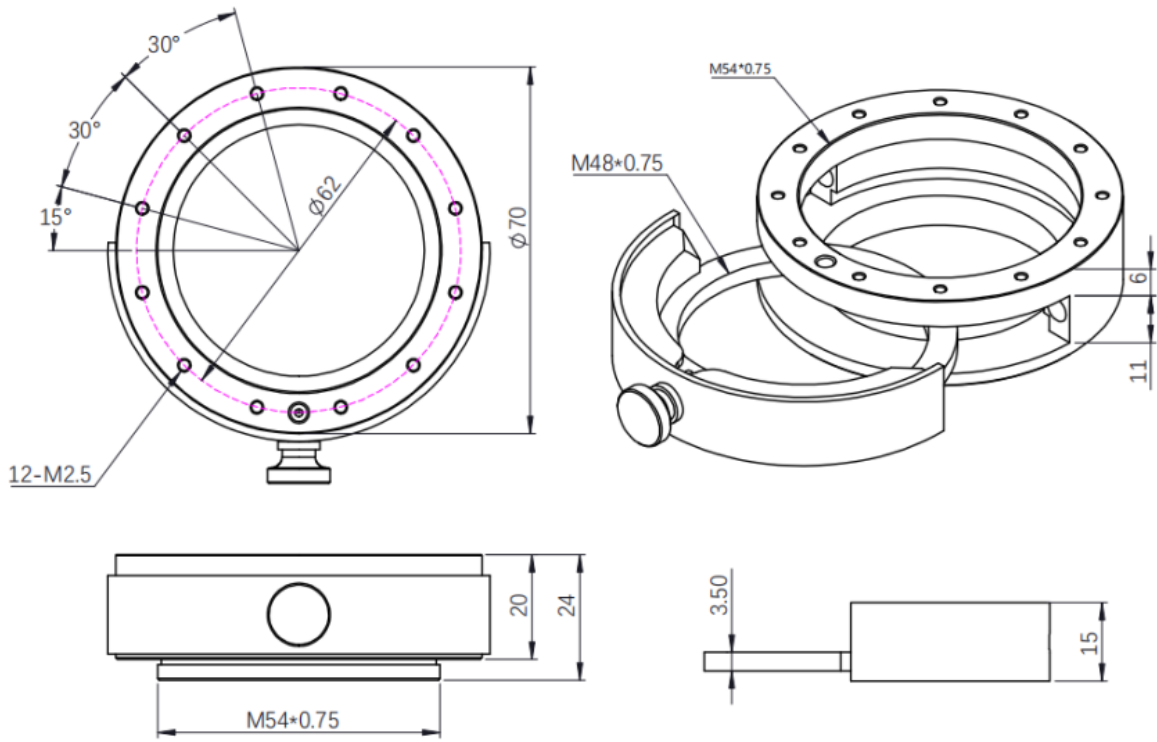


There also is a M54-M48-2 adapter coming with the M54 Filter Drawer so that you can use it with your camera or your telescope.

Connection method



Mechanical drawing



70mm(height)*70mm(length)*20mm(thickness)
 M54*0.75 male(external) thread (camera side)
 M48*0.75 female(internal) thread (filter end)
 M54*0.75 female(internal) thread (telescope side)
 Suitable for 2-inch astronomical filters

The best solution of 55mm back focus length

Full frame cooled camera + filter drawer



Note: This solution can only reach 56mm back focus length. If you want 55mm back focus length. Also the M48-M42 adapter will block the camera sensor a little bit. So we recommend you use 2"EFW with M68 OAG

Additional Information

Specifications

No