



Sirius Optics  
Unit 1  
26 Darnick Street  
Underwood, Qld 4119

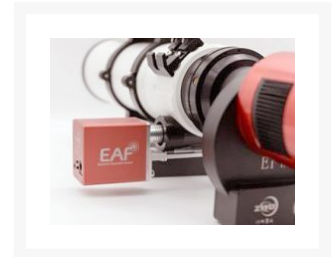
Opening Hours  
10am-5:30pm Mon-Fri  
9am-2pm Sat

Phone: 07 3423 2355  
www.sirius-optics.com.au

## ZWO EAF Electronic Automatic Focuser - Advanced Version

**AUD**  
**\$389.00**

### Product Images



### Short Description

EAF body, flexible coupling, motor bracket, USB2.0 cable, hand controller, temperature sensor.

## Description

---



Introducing the new EAF, the latest innovation from the engineers at ZWO. This electronic focuser enables precise, dynamic focus control for planetary and deep-sky imaging.



## Features:

1. Highly integrated design
2. Support ASCOM platform and various ASCOM-compatible third-party software
3. Support INDI
4. Support original software such as ASIAIR and ASICAP
5. Support automatic focusing
6. Support handle controller and manual focusing
7. Support temperature sensor
8. USB HID device and drive-free
9. Stable and durable



**Advanced Version:** EAF body, flexible coupling, motor bracket, USB2.0 cable, hand controller, temperature sensor.

You could purchase the standard version first, and then, buy other accessories to upgrade:

**temperature sensor**

**handle controller:**

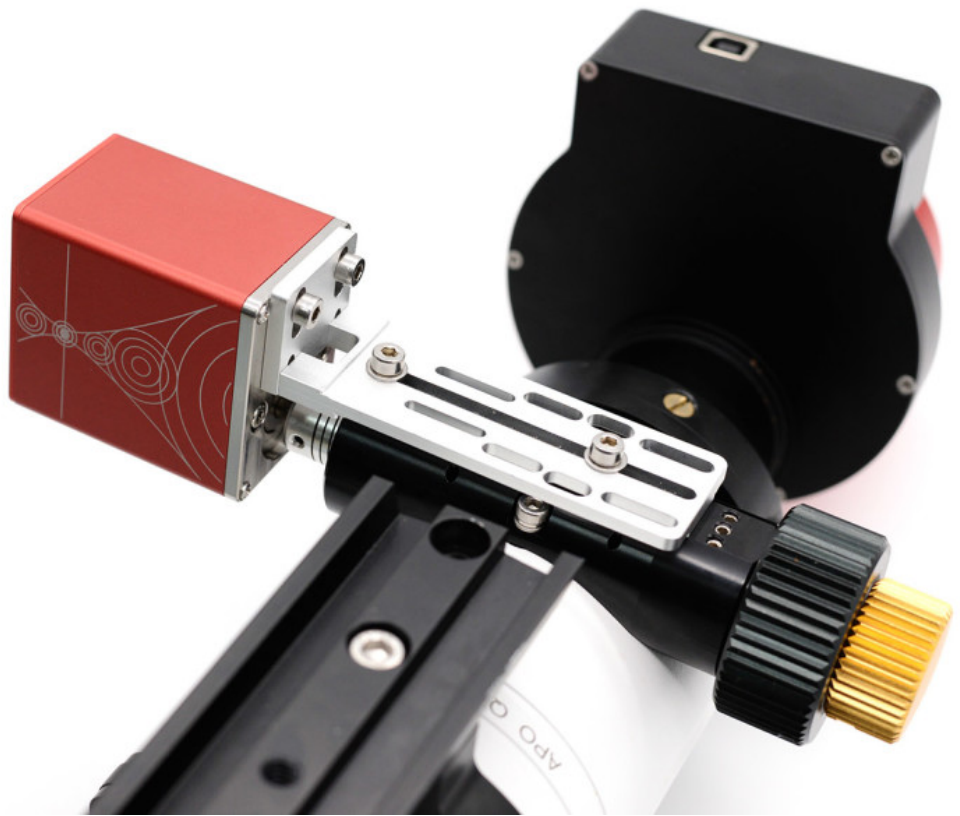


This Hand Controller links to the ZWO EAF (Electronic Automatic Focuser), it shows in every smooth inch of casing with environment friendly APS material. It comes with a 3.5mm female socket. You will be having a comfort grip when you touch its ergonomic design!

ZWO EAF Hand Controller provides an easy method of focusing the telescope, Featuring IN and OUT buttons, a 2-line display, slow and fast speed rate control.

A "must-have" option for EAF user!





## Support list:

SkyWatcher Astrophotography Reflectors, SkyWatcher Black Diamond, SkyWatcher Dobsonians, SkyWatcher Maksutov-Newtonians.

SharpStar telescopes,

SkyRover telescopes,

TS Optics,

Astro Tech,

Feather Touch,

More focuser will be supported in the further. such as TAKAHASHI telescopes, GSO telescopes.

Recommend to use extra focuser and EAF on SCT and MCT.



## Parameters:

**Size:** 59mm x 52mm x 41mm

**Motor:** Step motor, 35mm diameter, 5760 steps to rotate a circle.

**Power port:** 12V DC 5.5mm x 2.1mm, center positive

**Data port:** USB2.0 port

**Weight:** 277g

**Capacity:** 5kg

## Connecting diagram



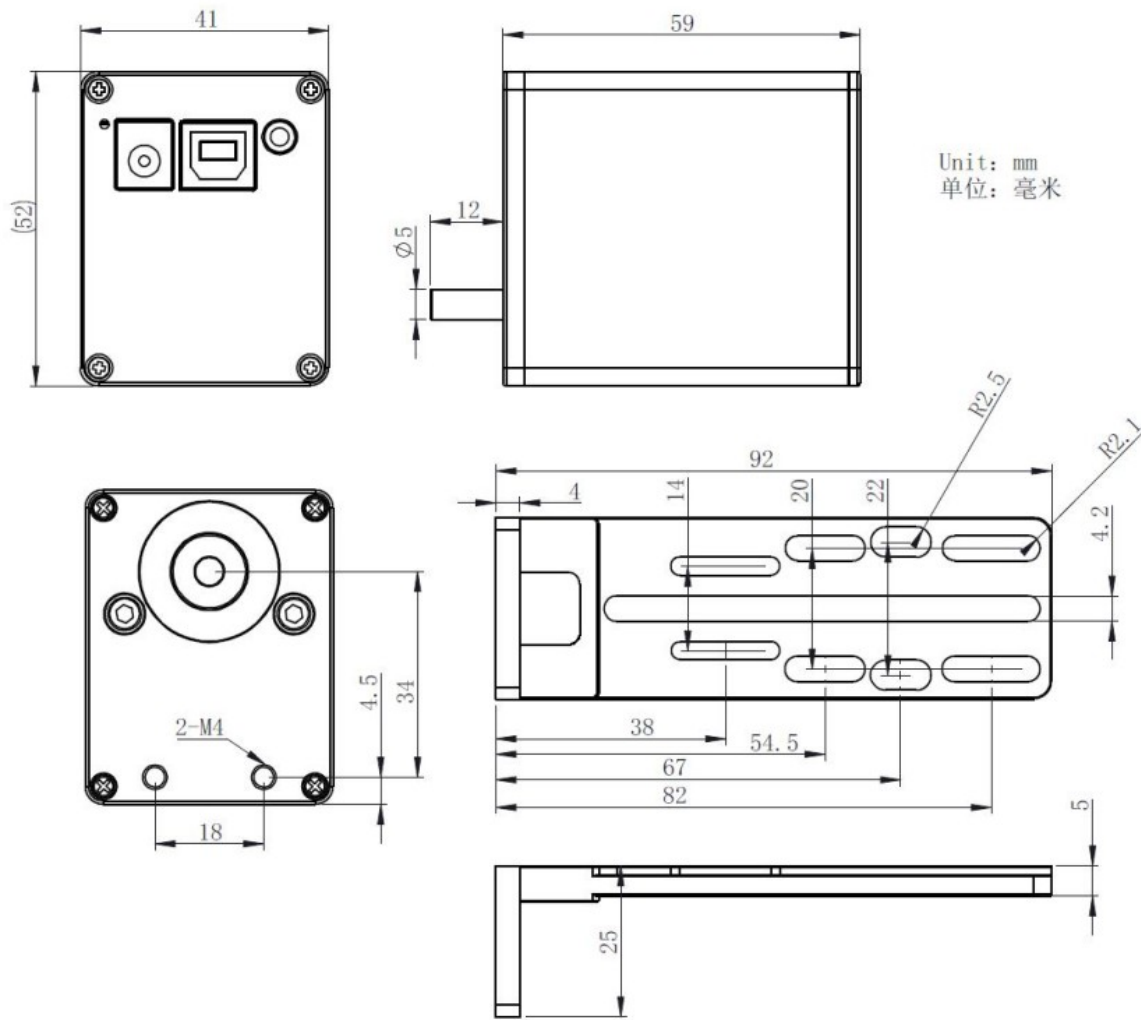


- Temperature sensor
- Hand controller



12V Power Supply

## Mechanical diagram

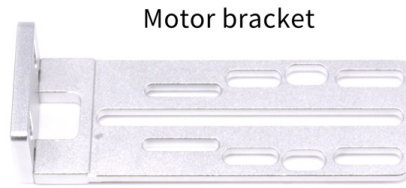


## What's in the box:

# EAF Standard Version Package List



EAF body



Motor bracket



8#32 screw

M5 screw

M4 screw



5-6mm

5-7mm

5-4mm

5-5mm

Flexible coupling  
(diameter 19mm length 25mm)



2m USB2.0 cable



M5 wrench

M4 wrench

spacer

Anti-loosening screw

## Additional Information

Specifications

N/A