



Sirius Optics
Unit 1
26 Darnick Street
Underwood, Qld 4119

Opening Hours
10am-5:30pm Mon-Fri
9am-2pm Sat

Phone: 07 3423 2355
www.sirius-optics.com.au

ZWO ASI 178MM Monochrome Astronomy Camera and Autoguider

AUD
\$529.00

Product Images



Short Description

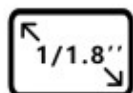
Extremely low read noise, high sensitivity and 14bit ADC make this camera very suitable for astronomy and microscopy.

Description

Product Description



Sensor
IMX178



1/1.8"
7.4*5.0mm



Resolution
3096*2080



ADC
14bit



QE
81%



Read Noise
1.4e



FPS
60



Full well
15000e



USB
3.0



Pixel Size
2.4µm

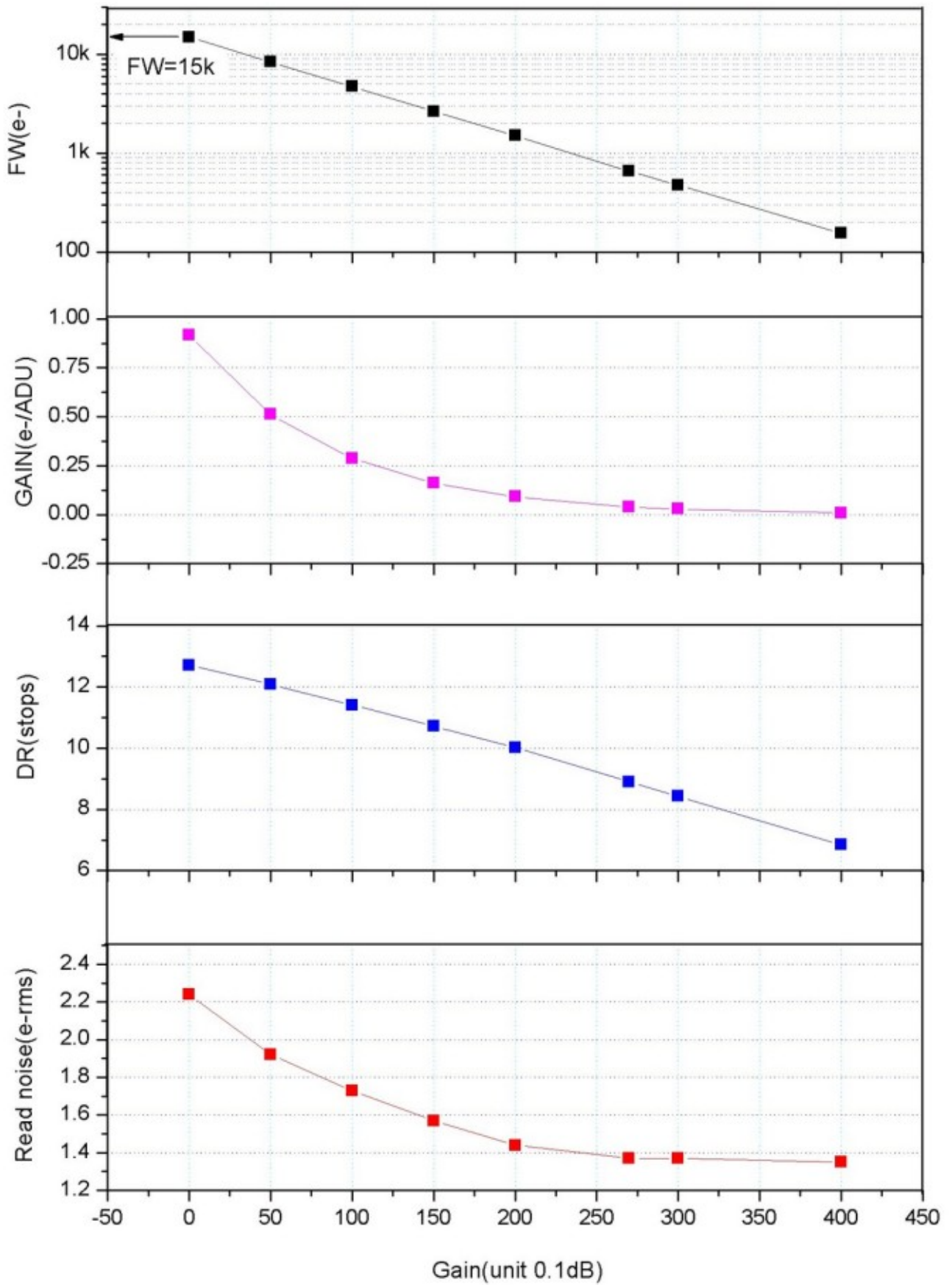
Camera Sensor

Back-illuminated CMOS Image Sensor with 14bit ADC. ASI178MM has a 1/1.8" and 6.4M pixel sensor IMX178 with SONY STARVIS and Exmor R Technology.

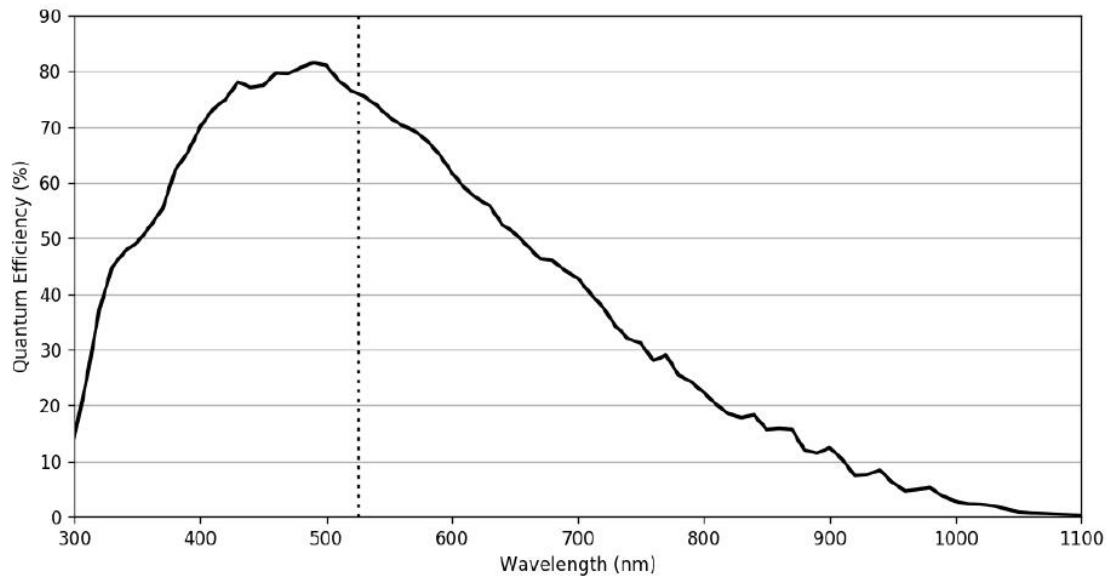
Astrophotography Performance

Extremely low read noise (1.4e-2.2 e), 1.4e @27db, high sensitivity and 14bit ADC make it very suitable for astronomy and microscopy high resolution photography.

Read noise, full well, gain and dynamic range for ASI178



Absolute QE Curve



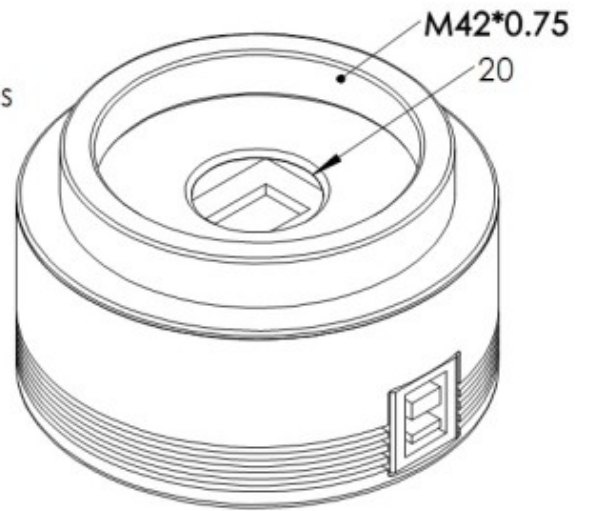
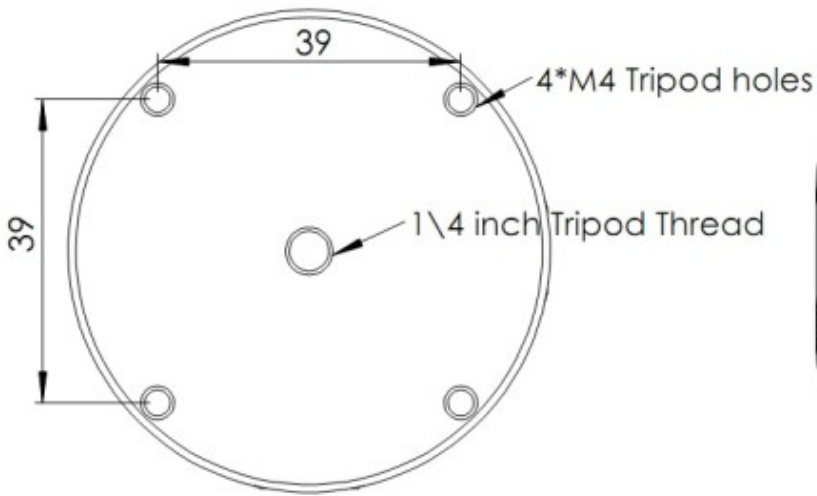
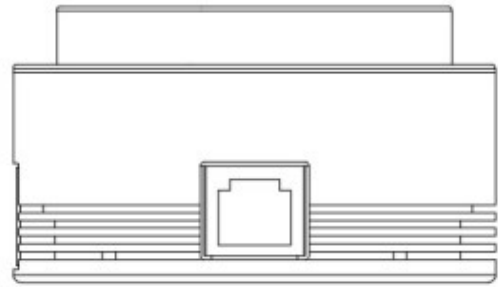
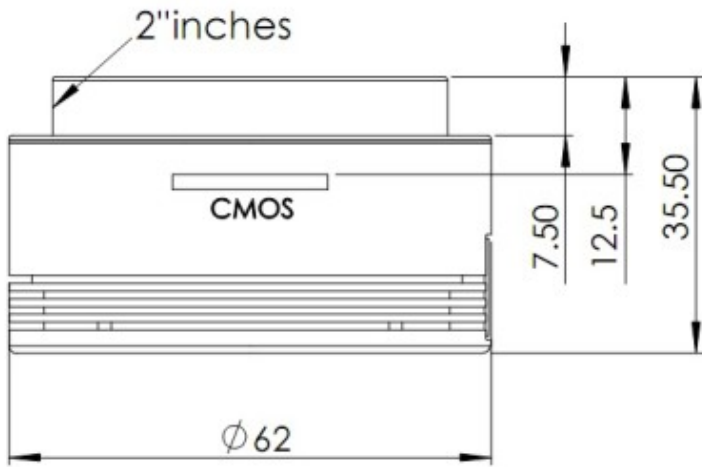
USB 3.0 Port & ST4 Port

USB 3.0 Port: can provide 5Gb bandwidth to let ASI178 run at 30 fps (14bit, normal mode) or 60 fps (10bit, high speed mode) at full resolution (6.4Mega).

ST4 Port: can be used connect with auto guide port of mount, for guiding.

Mechanical Diagram

Unit:mm



Specifications

Camera technical details

Sensor: 1/1.8" CMOS IMX178
Resolution: 6.4 Mega Pixels 3096*2080
Pixel Size: 2.4µm
Sensor Size: 7.4mm*5mm
Diagonal: 8.92mm
Exposure Range: 32µs-1000s
ROI: Supported
ST4 Guider Port: Yes
Focus Distance to Sensor: 12.5mm
Shutter Type: Rolling Shutter
Protect window: AR window
Operating System Compatibility: Mac, Windows, Linux
Interface: USB3.0/USB2.0
Bit rate: 14bit output(14bit ADC)
Adaptor: 2" / 1.25" / M42X0.75
Dimension: φ62mm X 36mm
Weight: 120g or 4.2 ounces (without lens)
Working Temperature: -5°C—45°C
Storage Temperature: -20°C—60°C
Working Relative Humidity: 20%—80%
Storage Relative Humidity: 20%—95%

Supported resolution

10bit ADC/**14bit ADC**
3096×2080 60fps / 30fps
2560×2048 62fps / 31fps
2048×1080 116fps / 58fps
1280×960 130fps / 65fps
800×600 204.7fps / 102.3fps
640×480 253.1fps / 126.5fps
320×240 479.7fps / 239.8fps

More resolutions can be defined by user.