

## INSTRUCTION MANUAL

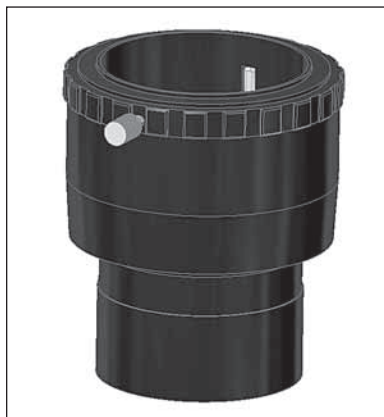
# Orion 2" Precision Centering Adapter

#52026

The Orion Precision Centering Adapter is designed for a multitude of applications. It can be used as an eyepiece or laser collimator precision centering device (providing precise optical-axis match between the eyepiece and the telescope – optical coaxiality) but it can also be used for imaging purposes as it provides a solid platform for long and heavy imaging trains.

While most focusers provide one or two side thumbscrews to secure an eyepiece they are usually insufficient for more demanding observing or imaging applications.

Constructed from aluminum, the precision centering adapter is extremely lightweight, 0.45 lbs. (204g). It fits any 2" focusers (Figure 1), and it is threaded to accept 2" filters as well.



**Figure 1.** The 2" Precision Centering Adapter.

### How It Works

Rotating the top ring clockwise moves two Delrin® rollers to the center of the optical axis. This pushes the rollers against the eyepiece ensuring a tight fit and precision eyepiece centering. It also prevents the eyepiece barrel from getting scratched as it would with the standard focuser thumbscrews.

 **ORION**<sup>®</sup>  
**TELESCOPES & BINOCULARS**  
*Providing Exceptional Consumer Optical Products Since 1975*

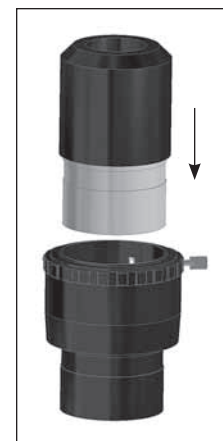
**OrionTelescopes.com**  
Customer Support (800) 676-1343  
E-mail: support@telescope.com  
Corporate Offices (831) 763-7000  
89 Hangar Way, Watsonville, CA 95076  
© 2014 Orion Telescopes & Binoculars

The 2" Precision Centering Adapter has a setscrew to secure heavy loads.

To release the eyepiece rotate in the opposite direction (counter-clockwise). It is as simple as that!

Start by inserting the 2" eyepiece. Rotate the top ring clockwise.

To release the eyepiece rotate the top ring counter-clockwise.



**Figure 2.** Insert the eyepiece.



**Figure 3.** Eyepiece locked in place.

**WARNING:** *Never look directly at the Sun with the naked eye or with a telescope – unless you have a proper solar filter installed over the front of the telescope! Otherwise, permanent, irreversible eye damage may result.*

## One-Year Limited Warranty

This Orion product is warranted against defects in materials or workmanship for a period of one year from the date of purchase. This warranty is for the benefit of the original retail purchaser only. During this warranty period Orion Telescopes & Binoculars will repair or replace, at Orion's option, any warranted instrument that proves to be defective, provided it is returned postage paid. Proof of purchase (such as a copy of the original receipt) is required. This warranty is only valid in the country of purchase.

This warranty does not apply if, in Orion's judgment, the instrument has been abused, mishandled, or modified, nor does it apply to normal wear and tear. This warranty gives you specific legal rights. It is not intended to remove or restrict your other legal rights under applicable local consumer law; your state or national statutory consumer rights governing the sale of consumer goods remain fully applicable.

For further warranty information, please visit [www.OrionTelescopes.com/warranty](http://www.OrionTelescopes.com/warranty).

**OrionTelescopes.com**  
89 Hangar Way, Watsonville, CA 95076  
**Customer Support Help Line (800) 676-1343**

© 2014 Orion Telescopes & Binoculars